



Model No : TLY-MB-D-12XK-0D-01

| Spec No. | Date | Page | Ver. |
|----------|------------|------|------|
| / | Mar/1/2016 | 1/8 | A2 |

Jiang Xi TALOYA Technology CO. LTD.

SPECIFICATION FOR APPROVAL

Company Name: _____

Product Name: LED Square Panel Light

Part No: TLY-MB-D-12XK-0D-01

Description: AC100-240V 50/60Hz

Your Part No: _____

| For customer filling | | | |
|-----------------------|--|--|--|
| Confirmed department. | | | |
| Confirmed result | | | |
| (Signature) | | | |
| Finally result | | | |

| Approve | Auditing | Make |
|-------------|------------|------------|
| Hailin Zhou | Haimin Guo | Martin Liu |

SHENZHEN Add:
613, Huanancheng Development Center, Pinghu St., Longgang Dist., Shenzhen,
Guangdong, China (Mainland)
 TEL: 86-755-84669045 FAX: 86-755-84573610 Email: tw@taloya.cn www.taloya.com

| Spec No. | Date | Page | Ver. |
|----------|------------|------|------|
| / | Mar/1/2016 | 2/8 | A2 |

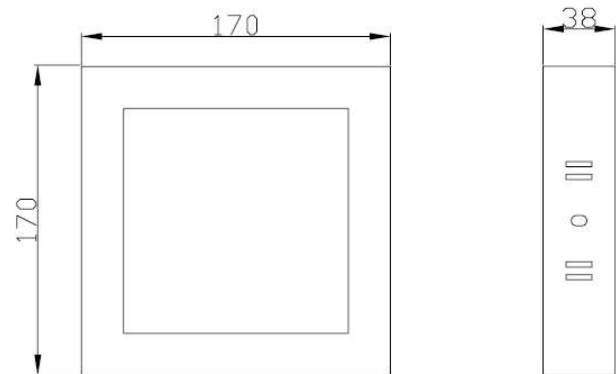
Product Description

- ◆ Energy saving—Have constant current driver, ultra-low power consumption, high efficiency
- ◆ Environmental—No UV & infrared radiation, Light without the heat, more soft light.
- ◆ Super bright—Use high bright LED, vertical illuminance is exceed to other factory's.
- ◆ Long life—Up to more than 20,000 hours.
- ◆ Attractive appearance—With bright appearance, non-pollution and slim and light, easily installed without fixed holder

Product Picture



Product Dimensions

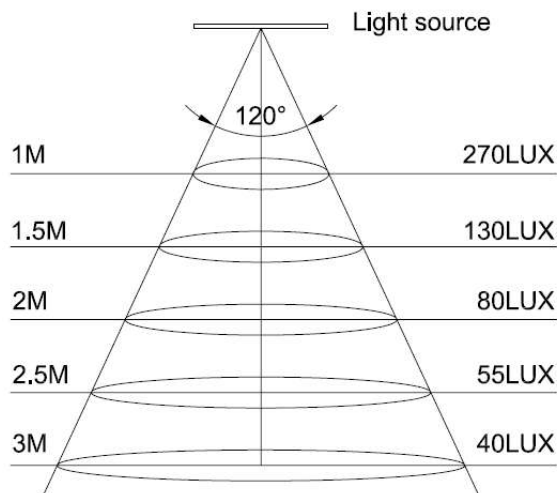


Application area

It can totally replace fluorescent lamp, applications in various areas of lighting. Such as hotels, bars, supermarkets, restaurants, museums, exhibition halls, conference room, shops, warehouses, home lighting and other places.



Average illumination figure



Device Selection Guide

| Part No. | Color | Dom. Wavelength or CCT(Typ.) | Lumen | | LED Type |
|---------------------|------------|------------------------------|-------|-----|----------|
| | | | Typ. | Max | |
| TLY-MB-C-12CK-0D-01 | Cool white | 6500K | 840 | 920 | SMD 2835 |
| TLY-MB-C-12WK-0D-01 | Warm white | 3000K | 840 | 920 | SMD 2835 |

Note: [1] If you have any special request, please contact with our salesmen.

Technical Parameter at T_A=25°C

| Items | Symbol | Min. | Typ. | Max. | Units |
|---|----------------|------|-------|------|-------|
| Power Consumption | P | 11 | 12 | 12.5 | W |
| Single loop input Voltage (AC) ^[1] | V _i | 100 | --- | 240 | V |
| Single loop input current (AC) ^[1] | I _f | 75 | --- | 190 | mA |
| Viewing Angle | VA | 115 | 120 | 125 | Deg. |
| Surface Temperature in Operation Condition | / | -20 | --- | 40 | °C |
| Surface Temperature in Storage Condition | / | -40 | --- | 55 | |
| Lifespan | H | --- | 20000 | --- | H |

Note: [1] It is recommended to use the typical input voltage to drive LED light. The unsuitable input voltage will damage the LED light or reduce the life of product.

| Spec No. | Date | Page | Ver. |
|----------|------------|------|------|
| / | Mar/1/2016 | 4/8 | A2 |

■ Integrating sphere test data

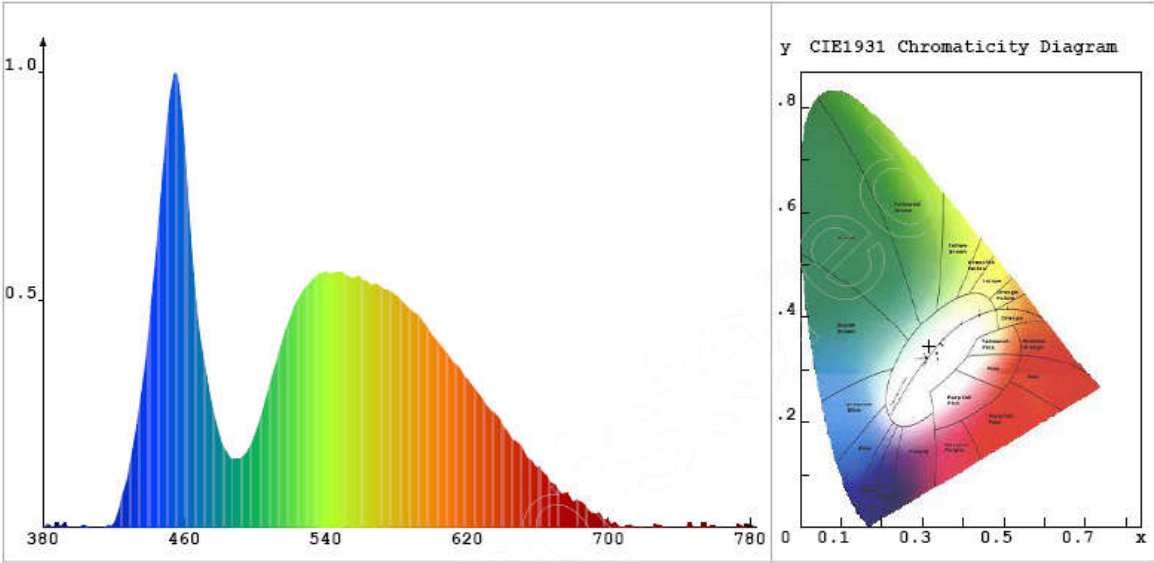
- ◆ Cool white

| Spec No. | Date | Page | Ver. |
|----------|------------|------|------|
| / | Mar/1/2016 | 5/8 | A2 |

LED Test Report

Product Mark

Product Type : TLY-MB-D-12CK-0D-01 Manufacturer : TALOYA
 Temperature : 25'C Humidity : 75%
 Operator : Martin Test Date : Aug-5-2015



Chroma Parameters

Chro.Coord.: x=0.3158 y=0.3441 u=0.1944 v=0.3177 duv=0.0092
 CCT: Tc= 6258K Dominant Wave.: 500.8nm Purity: 5.4%
 R ratio: R= 12.3 Peak Wavelength: 453.9nm Half Width: 25.3nm

Rending Index: Ra= 73.4

R1 =73.8 R2 =84.3 R3 =87.5 R4 =65.7 R5 =63.8 R6 =64.3 R7 =85.7
 R8 =62.8 R9 =-26.3 R10=55.2 R11=61.0 R12=32.1 R13=77.7 R14=93.4
 R15=68.2

Photo Parameters

Flux: 841.00lm Effi.: 71.8lm/W RadiantPower: 772.4mW

Ele. Parameters

Voltage:U=214.3V Current:I=0.096A
 Power:P= 11.7W Power Factor:PF=0.640

Instrument state

IntgeTime: 356.179ms VPeak: 13389 VDark: 1471
 Scan Range: 380-780nm

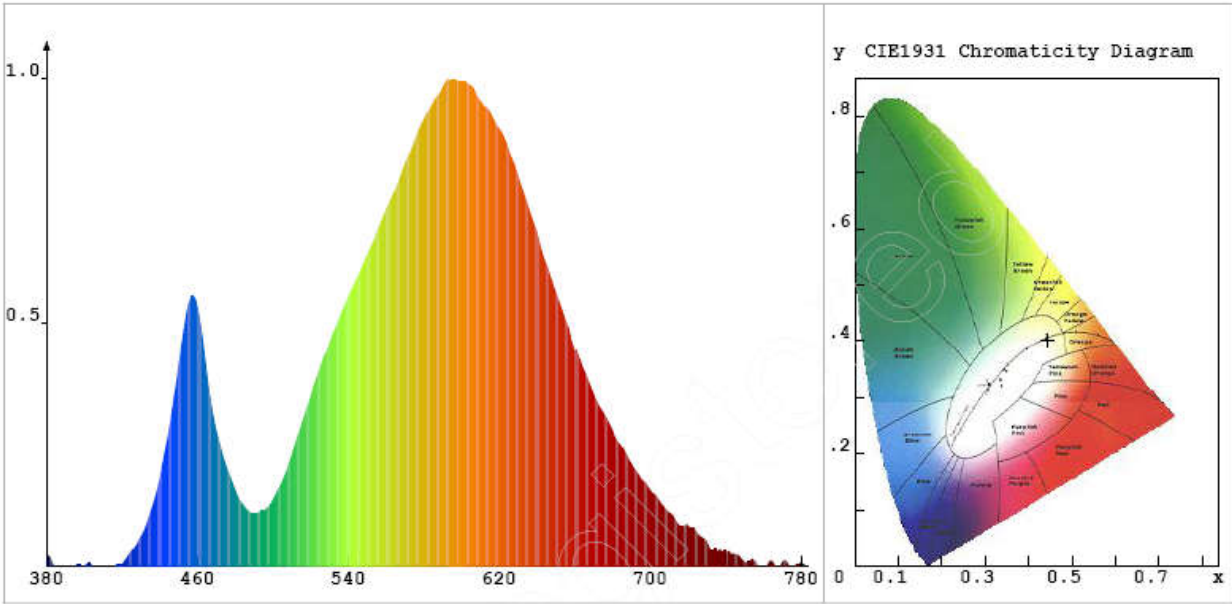
◆ Warm white

| Spec No. | Date | Page | Ver. |
|----------|------------|------|------|
| / | Mar/1/2016 | 6/8 | A2 |

LED Test Report

Product Mark

Product Type : TLY-MB-D-12WK-0D-01 Manufacturer : TALOYA
 Temperature : 25°C Humidity : 75%
 Operator : Martin Test Date : Aug-5-2015



Chroma Parameters

Chro.Coor.: x=0.4452 y=0.4019 u=0.2569 v=0.3478 duv=-0.0019
 CCT: Tc= 2847K Dominant Wave.: 585.2nm Purity: 54.3%
 R ratio: R= 22.7 Peak Wavelength: 592.8nm Half Width: 121.0nm

Rending Index: Ra= 73.7

R1 =70.5 R2 =84.6 R3 =94.2 R4 =67.8 R5 =69.8 R6 =77.9 R7 =77.4
 R8 =47.7 R9 =-14.9 R10=62.7 R11=59.6 R12=50.1 R13=73.2 R14=96.5
 R15=65.3

Photo Parameters

Flux: 836.00lm Effi.: 71.4lm/W RadiantPower: 2741.4mW

Ele. Parameters

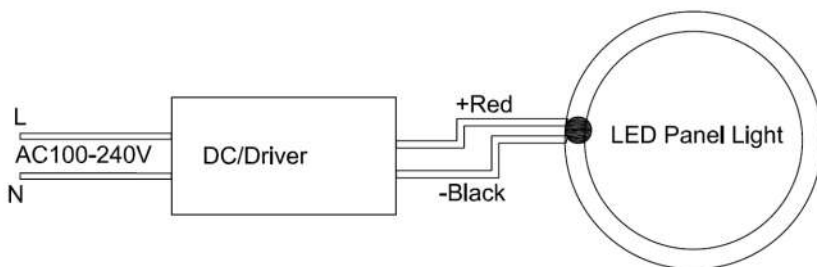
Voltage:U=213.0V Current:I=0.096A
 Power:P= 11.7W Power Factor:PF=0.63

Instrument state

IntgeTime: 101.857ms VPeak: 14077 VDark: 1301
 Scan Range: 380-780nm

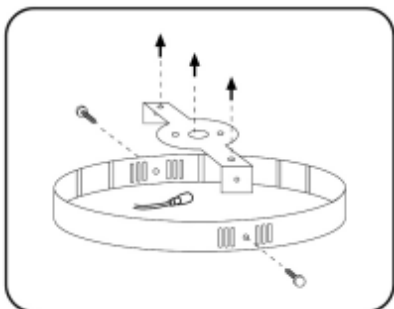
| Spec No. | Date | Page | Ver. |
|----------|------------|------|------|
| / | Mar/1/2016 | 7/8 | A2 |

Connection

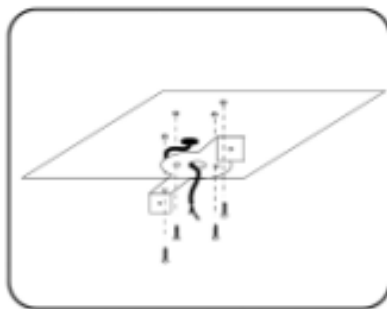


Installation Instruction

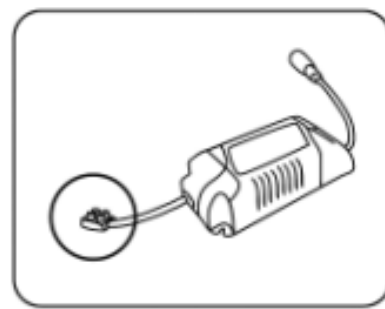
◆ **Attention:** Before installation, power must be cut off to keep people safe.



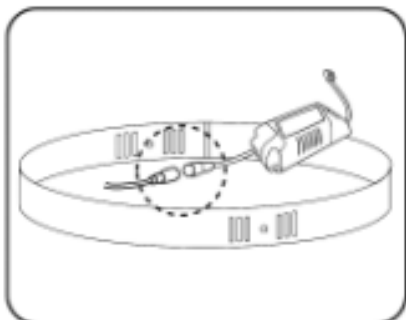
Take down the fixed handle
And the screws of body.



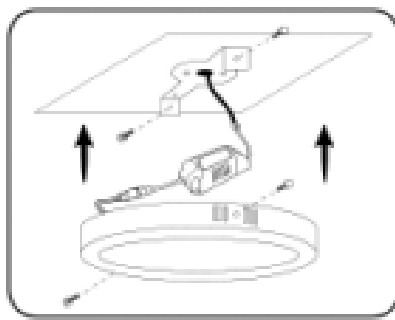
Fixed the handle on the ceiling
with 4 screws.



Connect the input line of driver.



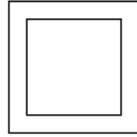
Connect the output line of driver,
then connect the DC connectors
and rotating clamping.



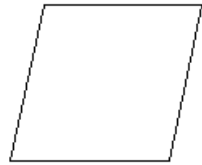
Put the driver into the lamp, and
tighten two screws of both sides
of the body and handles.

| Spec No. | Date | Page | Ver. |
|----------|------------|------|------|
| / | Mar/1/2016 | 8/8 | A2 |

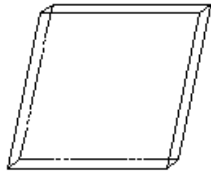
■ The view of package



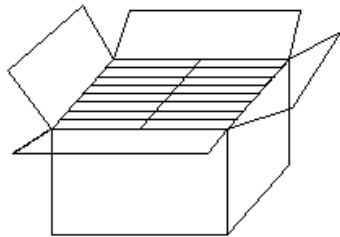
Panel light



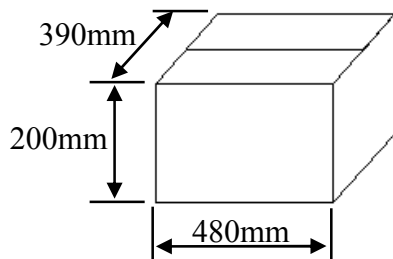
PE bag



Inner box



20pcs/Carton



Sealed carton

| | |
|-------------------|----------------------|
| Size of panel(mm) | 170*170*38mm |
| Inner box size | L*W*H: 180x44 x180mm |
| Carton size | L*W*H: 480x390x200mm |
| Packing quantity | 20pcs |
| Net weight | 7.86kg |
| Gross weight | ---kg |