



Model No : TLY-MB-C-18XK-0D-01

Spec No.	Date	Page	Ver.
/	Mar/02/2016	1/7	A2

Jiang Xi TALOYA Technology CO. LTD.

SPECIFICATION FOR APPROVAL

Company Name: _____

Product Name: LED Round Panel Light

Part No: TLY-MB-C-18XK-0D-01

Description: AC100-240V 50/60Hz

Your Part No: _____

For customer filling			
Confirmed department.			
Confirmed result			
(Signature)			
Finally result			

Approve	Auditing	Make
Hailin Zhou	Haimin Guo	Martin Liu

SHENZHEN Add:
613, Huanancheng Development Center, Pinghu St., Longgang Dist., Shenzhen,
Guangdong, China (Mainland)
 TEL: 86-755-84669045 FAX: 86-755-84573610 Email: tw@taloya.cn www.taloya.com

Spec No.	Date	Page	Ver.
/	Mar/02/2016	2/7	A2

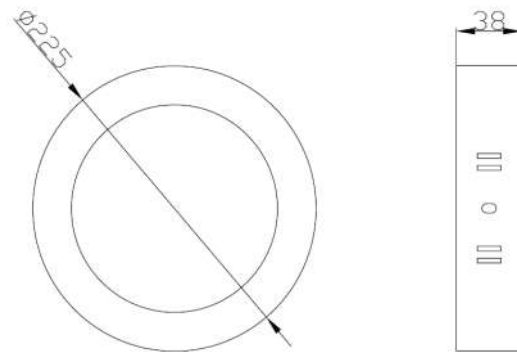
Product Description

- ◆ Energy saving—Have constant current driver, ultra-low power consumption, high efficiency
- ◆ Environmental—No UV & infrared radiation, Light without the heat, more soft light.
- ◆ Super bright—Use high bright LED, vertical illuminance is exceed to other factory's.
- ◆ Long life—Up to more than 20,000 hours.
- ◆ Attractive appearance—With bright appearance, non-pollution and slim and light, easily installed without fixed holder

Product Picture

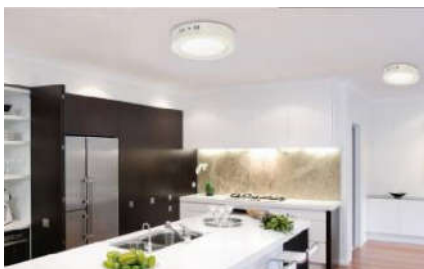


Product Dimensions

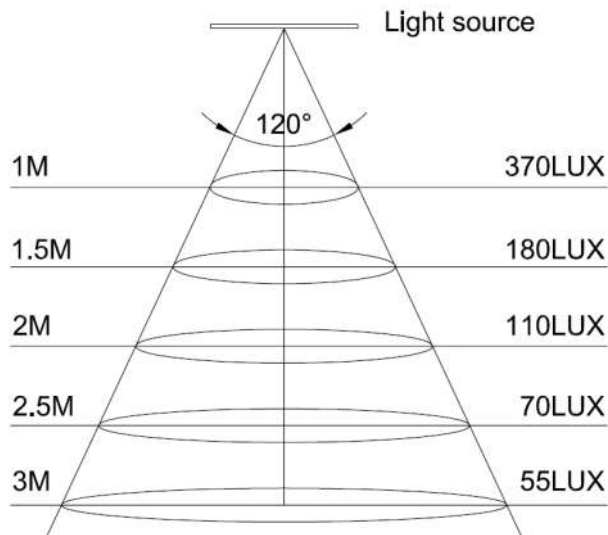


Application area

It can totally replace fluorescent lamp, applications in various areas of lighting. Such as hotels, bars, supermarkets, restaurants, museums, exhibition halls, conference room, shops, warehouses, home lighting and other places.



Average illumination figure



Device Selection Guide

Part No.	Color	Dom. Wavelength or CCT(Typ.)	Lumen		LED Type
			Typ.	Max	
TLY-MB-C-18CK-0D-01	Cool white	6500K	1300	1450	SMD 2835
TLY-MB-C-18WK-0D-01	Warm white	3000K	1300	1450	SMD 2835

Note: [1] If you have any special request, please contact with our salesmen.

Technical Parameter at $T_A=25^{\circ}\text{C}$

Items	Symbol	Min.	Typ.	Max.	Units
Power Consumption	P	17	18	19	W
Single loop input Voltage (AC) ^[1]	V_i	100	---	240	V
Single loop input current (AC) ^[1]	I_f	110	---	270	mA
Viewing Angle	VA	115	120	125	Deg.
Surface Temperature in Operation Condition	/	-20	---	40	$^{\circ}\text{C}$
Surface Temperature in Storage Condition	/	-40	---	55	$^{\circ}\text{C}$
Lifespan	H	---	20000	---	H

Note: [1] It is recommended to use the typical input voltage to drive LED light. The unsuitable input voltage will damage the LED light or reduce the life of product.

Spec No.	Date	Page	Ver.
/	Mar/02/2016	4/7	A2

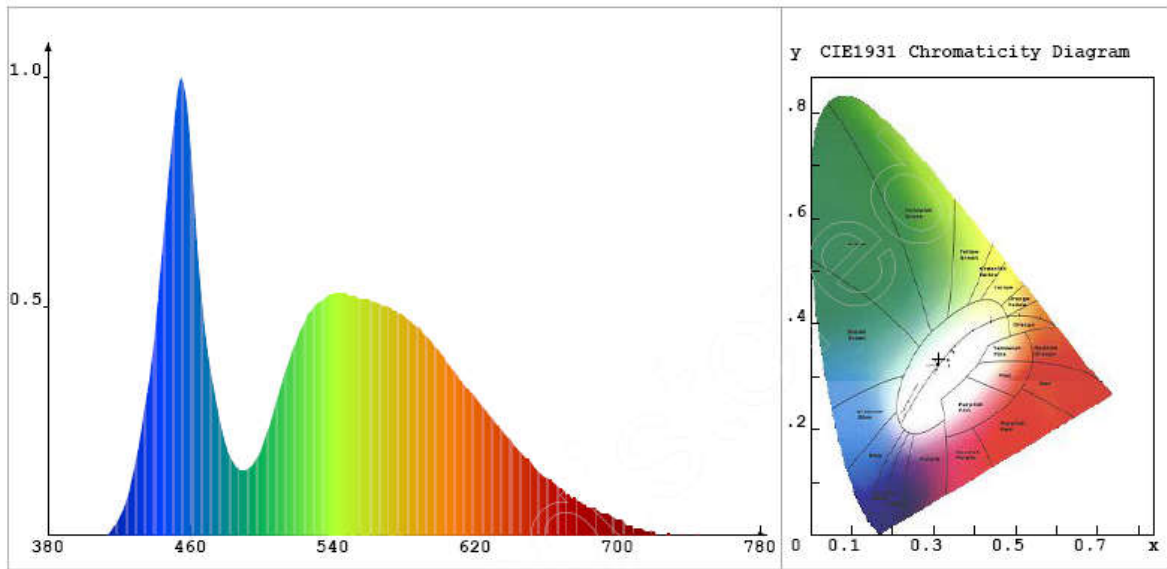
Integrating sphere test data

◆ Cool white

LED Test Report

Product Mark

Product Type :TLY-MB-C-18CK-0D-01 Manufacturer :TALOYA
 Temperature :25'C Humidity :75%
 Operator :Martin Test Date :2015-10-05



Chroma Parameters

Chro.Coor.: x=0.3120 y=0.3332 u=0.1958 v=0.3136 duv=0.0056
 CCT: Tc= 6513K Dominant Wave.: 492.7nm Purity: 7.2%
 R ratio: R= 12.1 Peak Wavelength: 454.3nm Half Width: 25.1nm

Rending Index: Ra= 73.7

R1 =69.7 R2 =79.5 R3 =83.6 R4 =71.5 R5 =70.5 R6 =70.4 R7 =84.6
 R8 =59.8 R9 =-26.3 R10=48.6 R11=66.0 R12=36.0 R13=72.1 R14=90.8
 R15=65.2

Photo Parameters

Flux: 1327.00lm Effi.: 76.7lm/W RadiantPower: 4577.0mW

Ele. Parameters

Voltage:U=215.0V Current:I=0.119A
 Power:P= 17.3W Power Factor:PF=0.68

Instrument state

IntgeTime: 63.000ms VPeak: 13173 VDark: 1102
 Scan Range: 380-780nm

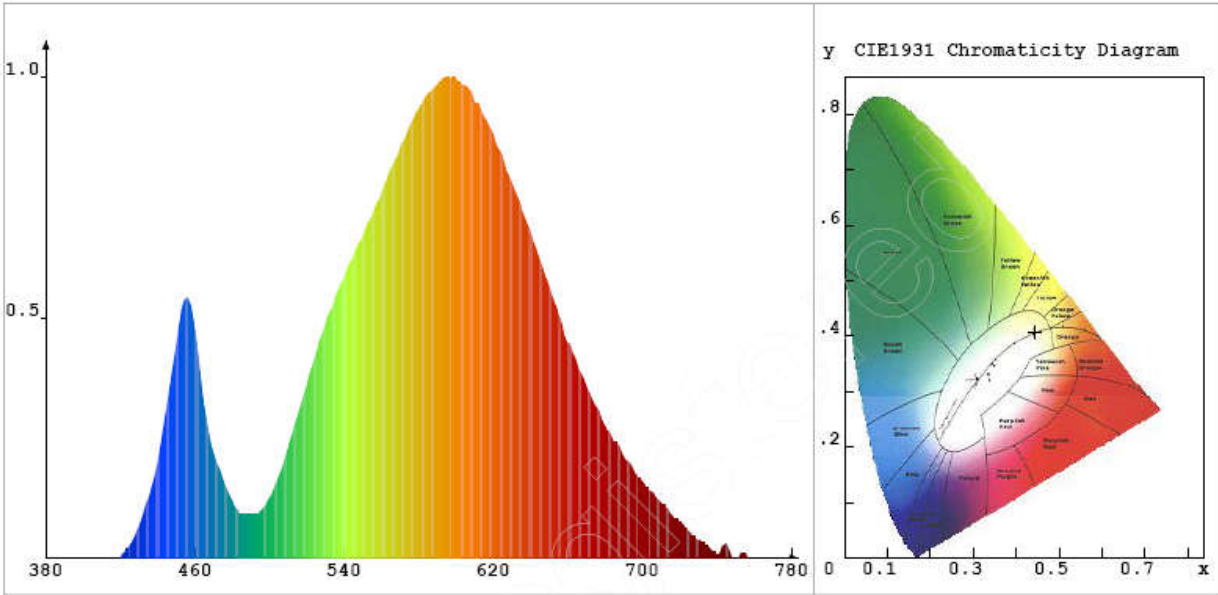
Spec No.	Date	Page	Ver.
/	Mar/02/2016	5/7	A2

◆ Warm white

LED Test Report

Product Mark

Product Type :TLY-MB-C-18WK-0D-01 Manufacturer :TALOYA
 Temperature :25'C Humidity :75%
 Operator :Martin Test Date :2015-10-05



Chroma Parameters

Chro.Coord.: x=0.4450 y=0.4070 u=0.2545 v=0.3492 duv=0.0002
 CCT: Tc= 2891K Dominant Wave.: 584.2nm Purity: 55.8%
 R ratio: R= 22.1 Peak Wavelength: 592.4nm Half Width: 123.9nm

Rending Index: Ra= 72.2

R1 =68.8 R2 =82.0 R3 =91.7 R4 =66.9 R5 =67.1 R6 =73.8 R7 =79.4
 R8 =48.0 R9 =-19.1 R10=56.7 R11=58.3 R12=42.8 R13=71.1 R14=94.8
 R15=63.7

Photo Parameters

Flux: 1287.00lm Effi.: 74.8lm/W RadiantPower: 4894.2mW

Ele. Parameters

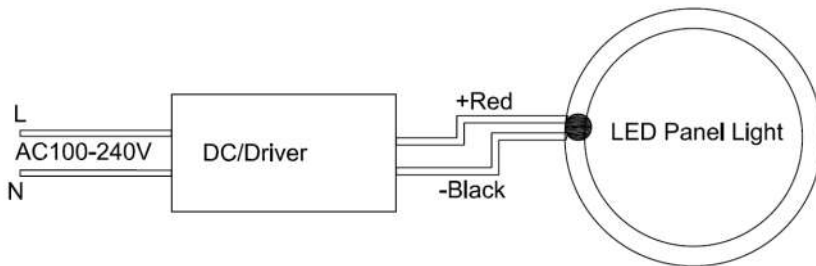
Voltage:U=216.0V Current:I=0.120A
 Power:P= 17.2W Power Factor:PF=0.68

Instrument state

IntgeTime: 63.000ms VPeak: 15053 VDark: 1097
 Scan Range: 380-780nm

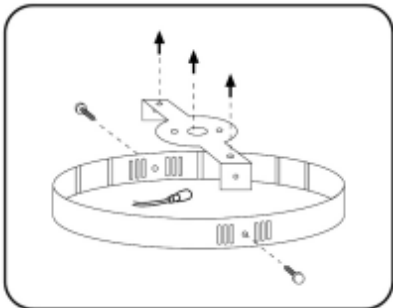
Spec No.	Date	Page	Ver.
/	Mar/02/2016	6/7	A2

Connection

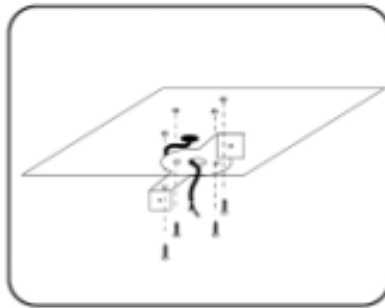


Installation Instruction

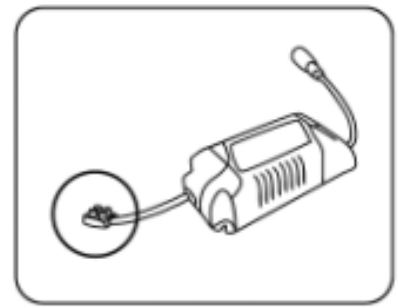
◆ **Attention:** Before installation, power must be cut off to keep people safe.



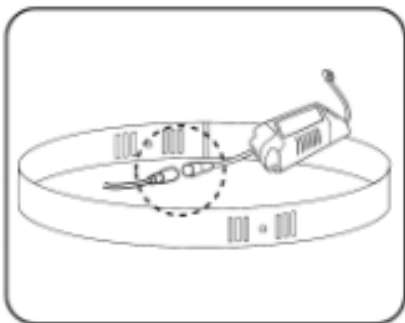
Take down the fixed handle
And the screws of body.



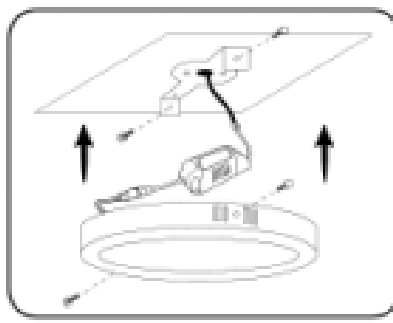
Fixed the handle on the ceiling
with 4 screws.



Connect the input line of driver.



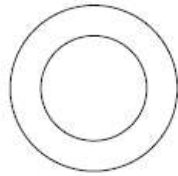
Connect the output line of driver,
then connect the DC connectors
and rotating clamping.



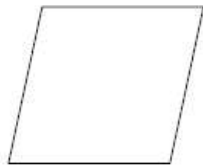
Put the driver into the lamp, and
tighten two screws of both sides
of the body and handles.

Spec No.	Date	Page	Ver.
/	Mar/02/2016	7/7	A2

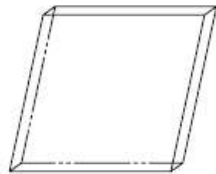
■ The view of package



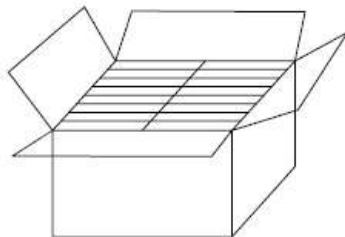
Panel light



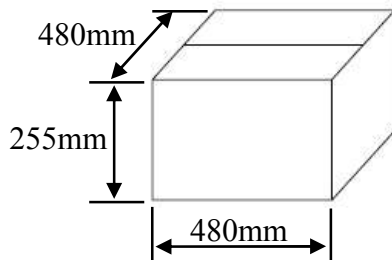
PE bag



Inner box



20pcs/Carton



Sealed carton

Size of panel(mm)	∅ 225*38mm
Inner box size	L*W*H: 230*230*44mm
Carton size	L*W*H: 480*480*255mm
Packing quantity	20pcs
Net weight	10.18kg
Gross weight	13.40kg